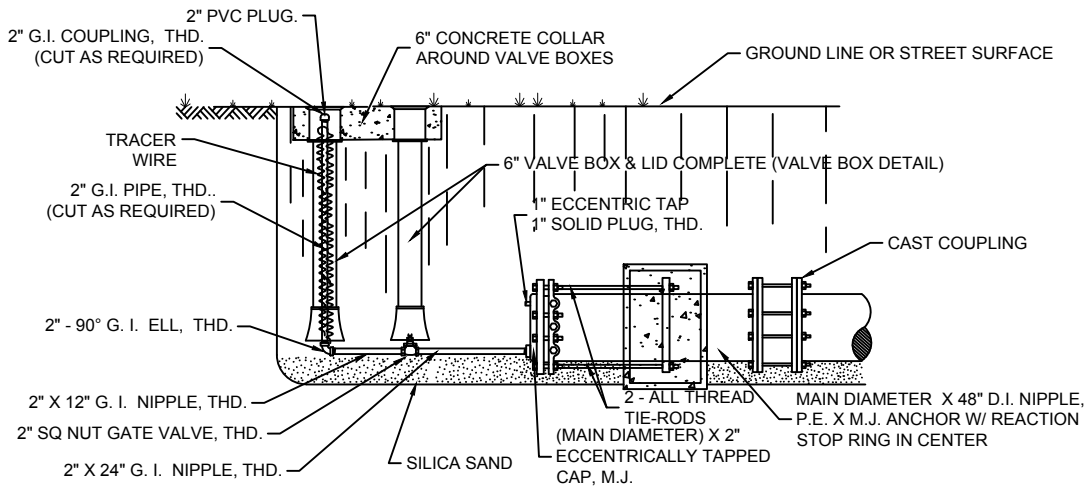


NOTE:
 REFERENCE DETAILS:
 1. RESTRAINTS FOR FITTINGS
 2. THRUST BLOCKING FOR FITTINGS



NOTE:
 1. EMBED ALL EXTERIOR METAL SURFACES IN SILICA SAND
 2. ALL REINFORCE BARS IN THE CONCRETE REACTION BLOCK SHALL BE #4.
 3. ALL FERROUS METAL SURFACES TO BE IN ACCORDANCE WITH CITY OF SCHERTZ SPECIFICATIONS.
 4. ALL BURIED METAL SURFACES, INCLUDING GALVANIZED PIPE AND STEEL RODS, ARE TO BE PROTECTED FROM SOIL EXPOSURE BY POLYBAGGING AND POLYTAPING (SPEC. 02528).

PERMANENT 2" BLOW-OFF ASSEMBLY



CITY OF SCHERTZ TEXAS
 ENGINEERING AND PUBLIC WORKS

BLOW-OFF ASSEMBLY

STANDARD DETAIL
 N.T.S.

PW TECH. SPEC. SECTION 02085

SHEET NUMBER	PROJECT NO.:	DATE: 2/26/18
DRWN. BY: BCP	DSGN. BY: BCP	CHKD. BY: KJW
		SHEET NO.: 1