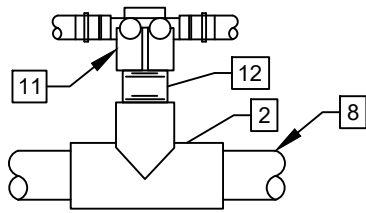
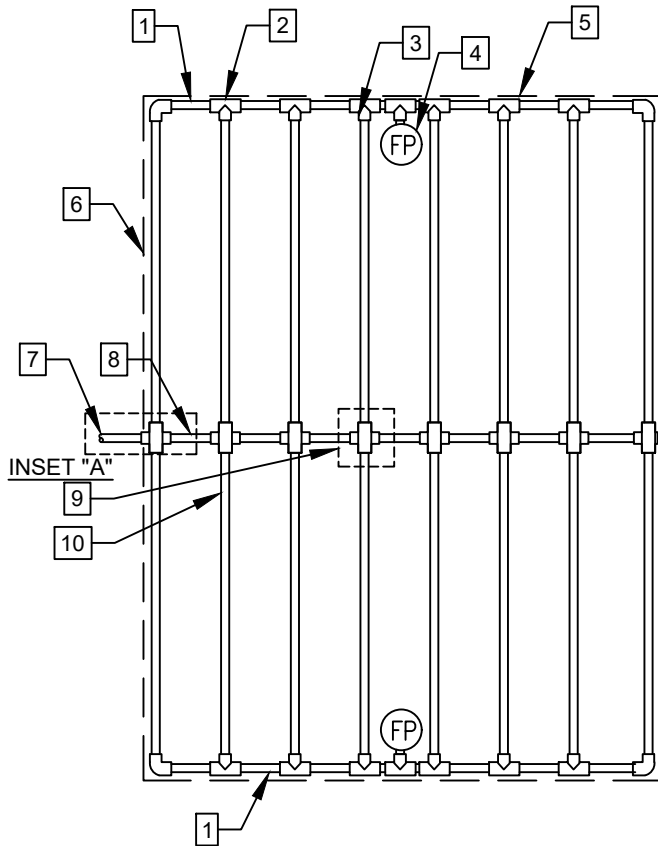


- 1 PVC EXHAUST HEADER
- 2 PVC SCH 40 TEE OR EL (TYPICAL)
- 3 BARB X MALE FITTING:
RAIN BIRD XFF-MA FITTING (TYPICAL)
- 4 FLUSH POINT (TYPICAL)
SEE RAIN BIRD DETAIL "XFD FLUSH POINT"
- 5 PERIMETER OF AREA
- 6 PERIMETER DRIPLINE PIPE TO BE INSTALLED 2"-4" FROM PERIMETER OF AREA
- 7 PVC SUPPLY PIPE FROM RAIN BIRD CONTROL ZONE KIT (SIZED TO MEET LATERAL FLOW DEMAND)
- 8 PVC SUPPLY MANIFOLD
- 9 CONNECTION FROM SUPPLY MANIFOLD TO DRIPLINE (TYPICAL) - SEE INSET "A"
- ON-SURFACE DRIPLINE:
10 RAIN BIRD XF SERIES DRIPLINE (TYPICAL)
POTABLE: XFCV DRIPLINE
- 11 BARB X FEMALE FITTING:
RAIN BIRD XFD-TFA-075 FITTING
- 12 $\frac{3}{4}$ " PVC NIPPLE, LENGTH AS NECESSARY

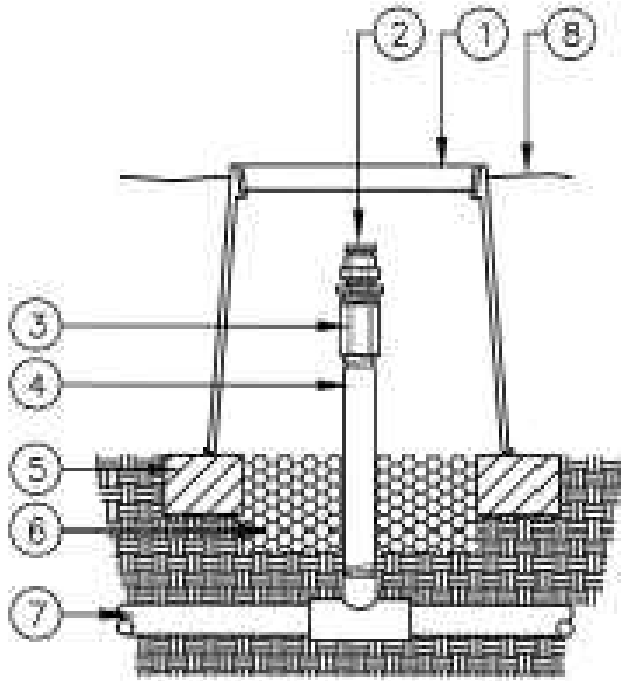


INSET "A"

XFCV DRIPLINE MAXIMUM LATERAL LENGTHS (FEET)				
INLET PRESSURE (PSI)	12" SPACING		18" SPACING	
	NOMINAL FLOW (GPH)	NOMINAL FLOW (GPH)	NOMINAL FLOW (GPH)	NOMINAL FLOW (GPH)
	0.6	0.9	0.6	0.9
20	192	136	254	215
30	289	205	402	337
40	350	248	498	416
50	397	281	573	477
60	436	309	637	529

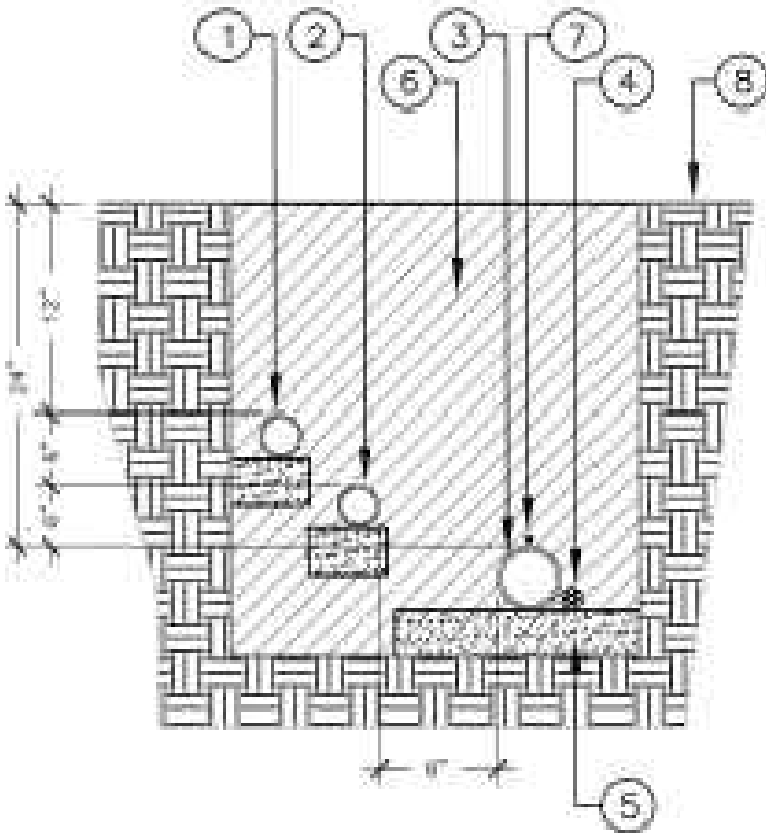
DRIP IRRIGATION NOTES:

1. DISTANCE BETWEEN LATERAL ROWS AND EMITTER SPACING TO BE BASED ON SOIL TYPE, PLANT MATERIALS AND CHANGES IN ELEVATION. SEE INSTALLATION SPECIFICATIONS FOR SUGGESTED SPACING.
2. LENGTH OF LONGEST DRIPLINE LATERAL SHOULD NOT EXCEED THE MAXIMUM SPACING SHOWN IN THE ACCOMPANYING TABLE.
3. WHEN USING 17MM INSERT FITTINGS WITH DESIGN PRESSURE OVER 50PSI US RECOMMENDED THAT STAINLESS STEEL CLAMPS BE INSTALLED ON EACH FITTING.



AIR/VACUUM RELIEF VALVE (PLUMBED TO PVC)
SCALE: N.T.S.

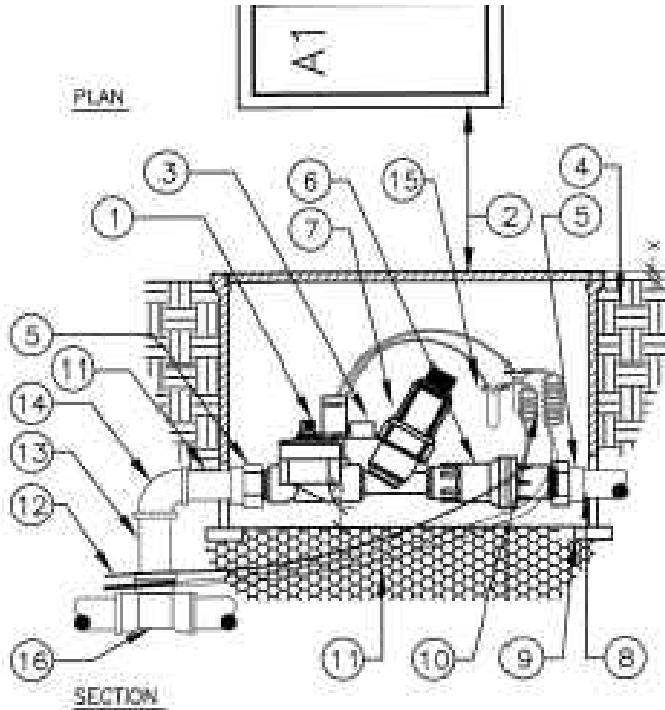
1. 6" ROUND VALVE BOX.
2. AIR/VACUUM RELIEF VALVE
3. 1/2" PVC COUPLING : T X T
4. 1/2" SCH 80 RISER LENGTH AS REQUIRED
5. STANDARD BRICK SUPPORTS THREE EACH BOX
6. 3/4" CRUSHED GRAVEL SUMP.
7. PVC PIPING AND FITTINGS
8. FINISH GRADE



IRRIGATION TRENCHING 24" DEPTH(DOMESTIC)
SCALE: N.T.S

1. NON-PRESSURE PVC LATERAL LINE PIPING FOR 6" LAWN SPRAY POP-UPS.
2. NON-PRESSURE PVC LATERAL LINE PIPING FOR 12" SHRUB SPRAY POP-UPS
3. PVC PRESSURE MAINLINE PIPING
4. CONTROL WIRE - TAPE AND BUNDLE EVERY 10 FT. INSTALL ADJACENT TO PRESSURE MAIN LINE
5. PROVIDE 2" DEPTH OF CLEAN BACKFILL
6. SEE IRRIGATION SPECS FOR BACKFILL AND COMPACTION REQUIREMENTS
7. #10 BARE COPPER TRACE WIRE
8. FINISH GRADE

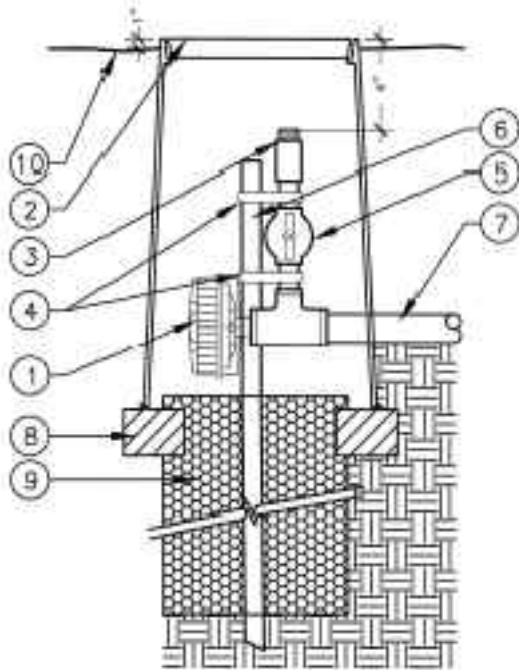
ELECTRIC REMOTE CONTROL VALVE(DRIP)
SCALE: N.T.S.



1. ELECTRIC CONTROL VALVE.
2. JUMBO RECTANGULAR VALVE BOX W/BOLT DOWN COVER
HEAT BRAND VALVE STATION NO. ON LID IN 2" HIGH
CHARACTERS.
3. CHRISTY'S I.D.TAG-NUMBERED TO MATCH DRAWINGS
4. FINISH GRADE
5. UNION FITTING
6. PRESSURE REGULATING VALVE
7. DRIP FILTER
8. PVC PIPE TO DRIP. ANGLE PIPE TO SPECIFIED DEPTH
WITH 45 DEGREE ELLS
9. COMMON BRICK (4 REQUIRED)
10. EXPANSION COIL
11. 3/4" CRUSHED ROCK 8" DEPTH
12. CONTROL/COMMON WIRES FROM CONTROLLER
13. PVC SCHEDULE 80 NIPPLE
14. PVC SxS 90 DEGREE ELL.
15. DBY 3M SPLICE KIT
16. MAINLINE FITTING WITH SOLVENT WELD OUTLET

NOTE: X-1" IN TURF AREAS
2" IN SHRUB AREAS

LINE FLUSHING VALVE-MANUAL/AUTOMATIC
SCALE: N.T.S



1. LINE FLUSHING VALVE F-TLHV-1
2. VALVE BOX WITH LOCKING COVER
3. BRASS HOSE THREAD ADAPTER
4. 2 STAINLESS STEEL HOSE CLAMP
5. MANUAL BALL VALVE
6. #4 X30" REBAR STAKE
7. TECHLINE 17mm LATERAL TUBING
8. STANDARD BRICK SUPPORTS (THREE PER BOX)
9. 1 CU. FT 3/4" GRAVEL SUMP
10. FINISH GRADE

NOTE: CENTER BALL VALVE IN VALVE BOX OPENING TO
ALLOW EASY ACCESS