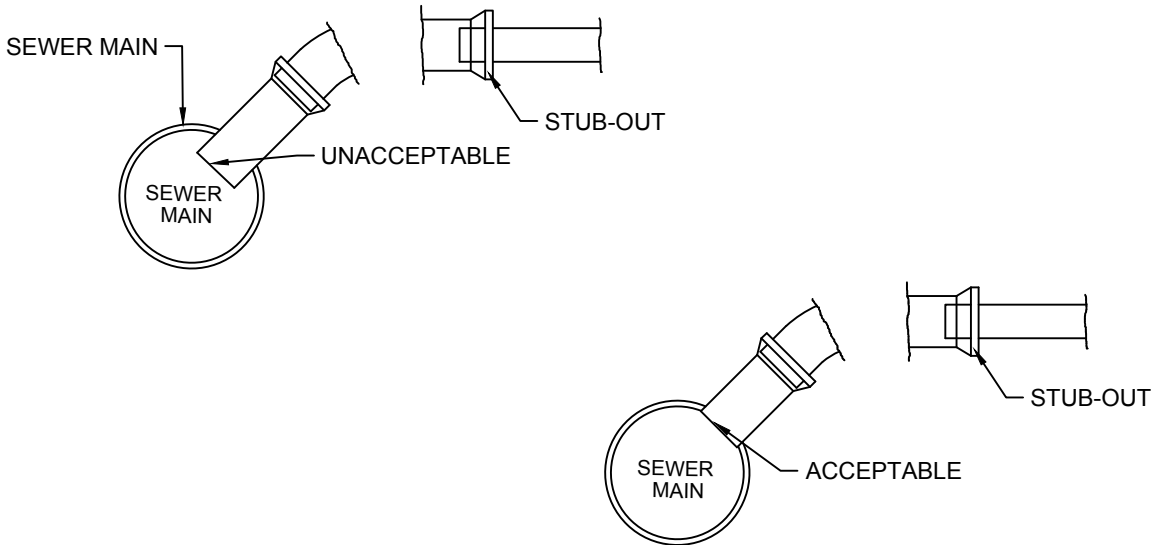
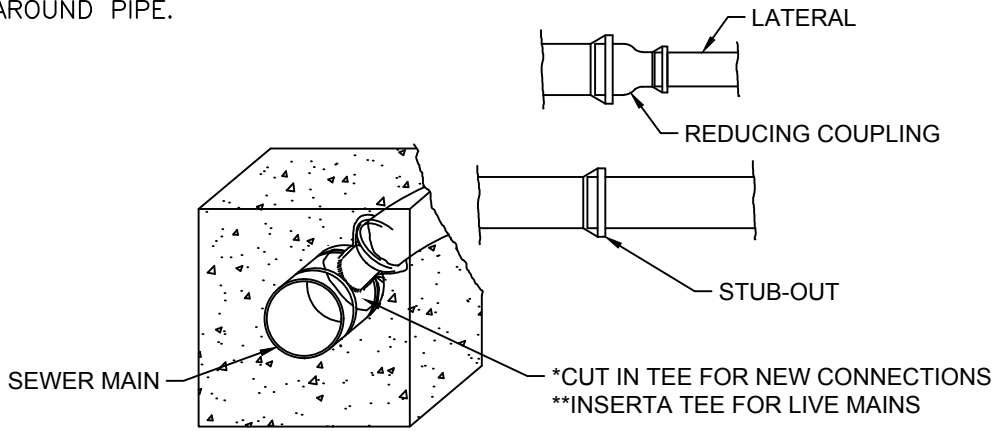


NOTE:  
 CONCRETE ENCASEMENT TO BE 6" GREATER  
 THAN THE FULL LENGTH OF TEE IN ALL  
 DIRECTIONS AROUND PIPE.



NOTE:  
 INSERTA TEE SHOULD BE INSTALLED USING PROPER SIZED HOLE SAW TO CORE INTO MAIN.