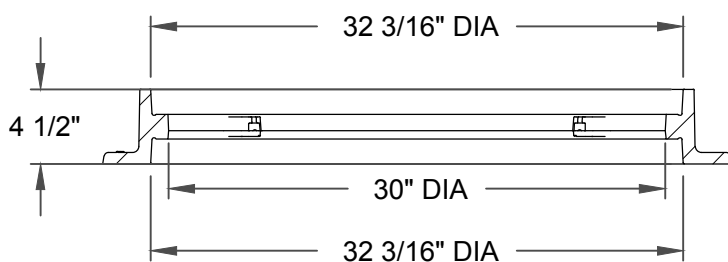
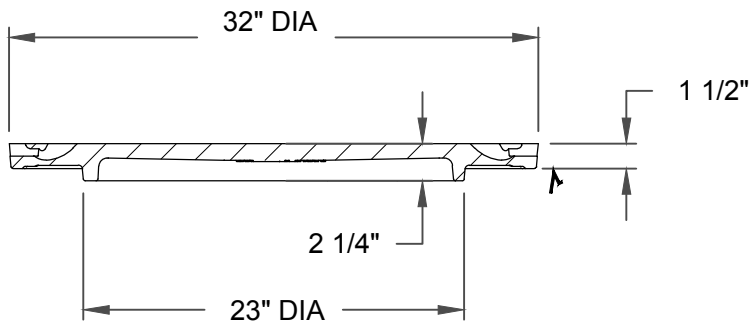
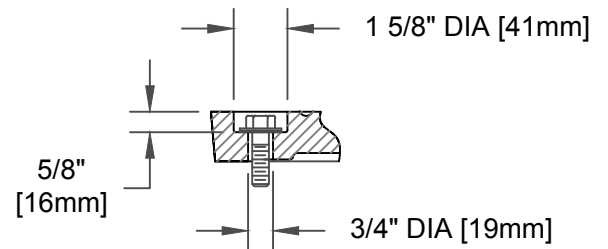


PLAN VIEW



SECTION



BOLTING DETAIL

NOTE: FRAME IS REVERSIBLE
CAN BE INSTALLED AS TOP OR
BOTTOM FLANGE UNIT.



**STORM SEWER MANHOLE
RING & COVER**

TECHNICAL SPECIFICATION SECTION 02084

ENGINEERING AND PUBLIC WORKS

SCALE: N.T.S.
DSGN. BY: ENG. DRAWN BY: BCP

DATE: 5/10/19
SHEET NO.: 1 of 2