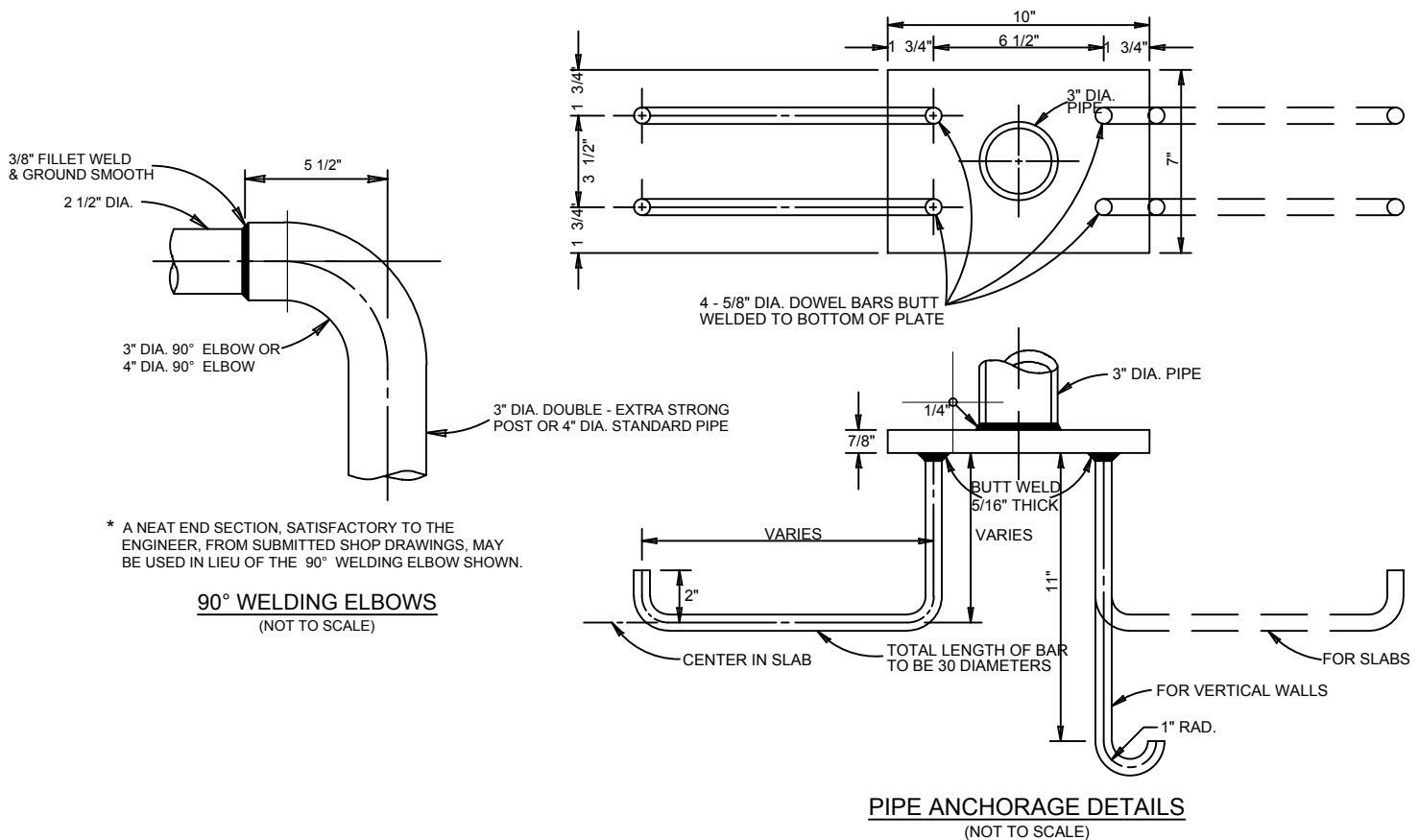


**TYPICAL SIDEWALK BRIDGE &
SIDEWALK PIPE RAILING SECTION**
(NOT TO SCALE)

NOTES

- COLOR TO BE DETERMINED ON A JOB SPECIFIC BASIS TO BE APPROVED BY THE CITY THROUGH THE SUBMITTAL PROCESS.



* A NEAT END SECTION, SATISFACTORY TO THE ENGINEER, FROM SUBMITTED SHOP DRAWINGS, MAY BE USED IN LIEU OF THE 90° WELDING ELBOW SHOWN.

90° WELDING ELBOWS
(NOT TO SCALE)

PIPE ANCHORAGE DETAILS
(NOT TO SCALE)