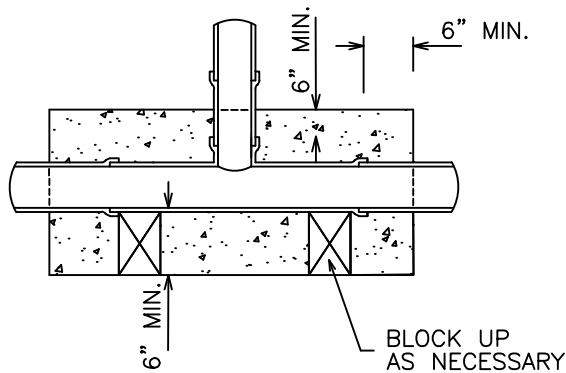


NOTE:
 CONCRETE ENCASEMENT TO BE 6" GREATER
 THAN THE FULL LENGTH OF TEE IN ALL
 DIRECTIONS AROUND PIPE.

STACKS SHALL BE REQUIRED
 WHERE THE TOP OF THE SEWER
 MAIN IS AT A DEPTH OF EIGHT
 FEET (8') OR GREATER, HOWEVER,
 WHERE STACKS ARE REQUIRED,
 THEY SHALL BE SHOWN ON THE
 PLANS, AS DIRECTED BY THE
 ENGINEER, BASED ON ELEVATIONS
 OF THE SEWER MAIN, STREETS,
 NATURAL GROUND AND BUILDING
 TO BE SERVED



SECTION A-A